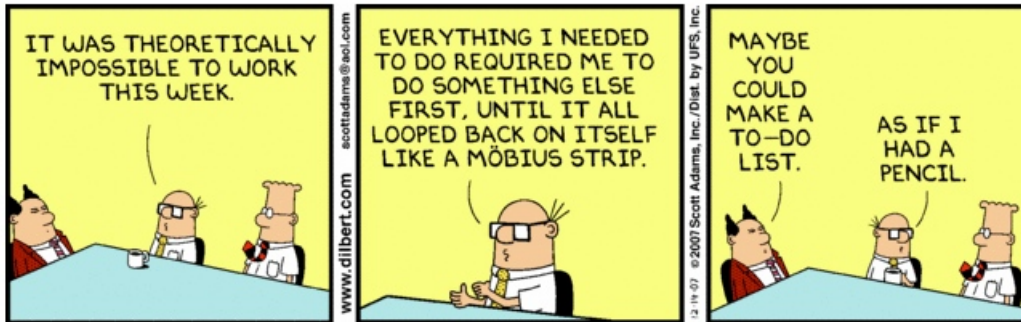


CS30 - Assignment 5

“To understand recursion, you must understand recursion”

Part A: Due Tuesday Mar. 1, at 11:59pm

Part B: Due Friday Mar. 4, at 6pm



<http://dilbert.com/strips/comic/2007-12-14/>

As always, read through this entire handout before starting to make sure you understand what's expected of you. I've broken this assignment into two parts to encourage you to start early. Even though only part A is due Tuesday, I would *strongly* encourage you to do more than just part A by Tuesday since most of the work to be done is on part B.

Optional: Course Feedback

We're a little over a third of the way through the course and I wanted to touch base with you and see how things are going (and if things can be improved). If you have two minutes, please fill out the survey at:

<https://docs.google.com/forms/d/1nXA4x1QoGqcZSQEdW-WBT21nzP2FTK7-ygA0AKmsjoo/>

Please do so by Tuesday March 1st and I'll look at the results with you in class.

PART A

Put your answers to the problems below in a file named with your first name and last name followed by `assign5A.py`.

1 Warming up: lists

Having now discovered recursion, you've decided to become a recursion purist and not use any functions that use iteration/loops. To get you started, you're going to implement some of the list functions recursively.

write the following functions using recursion:

- A function called `length` that takes a list as a parameter and returns the length of the list. Your function may not use the `len` function (Hint: to see if a list has a length of 0, check to see if it equals `[]`)
- A function called `rec_max` that takes a list as a parameter and returns the largest value in the list. You may assume that the list has at least one entry in it (and, of course, you may not use the `max` function). You can use the `len` function if you'd like.

I've tried to make it clear above what functions are off limits, but please try not to utilize extraneous functions that get around the heart of the problem. If there is any question about what is acceptable, feel free to ask me.

Just for fun

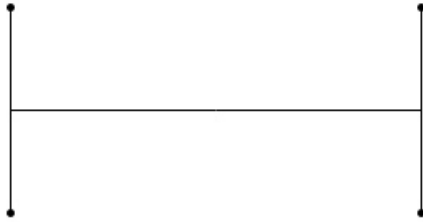
If you want some more practice (*not required*), you can also try this one:

- A function called `rec_count` that takes a list and another object as a parameter. The function returns how many times the object occurs in the list (you may not use the `count`, `in` or `find` functions).

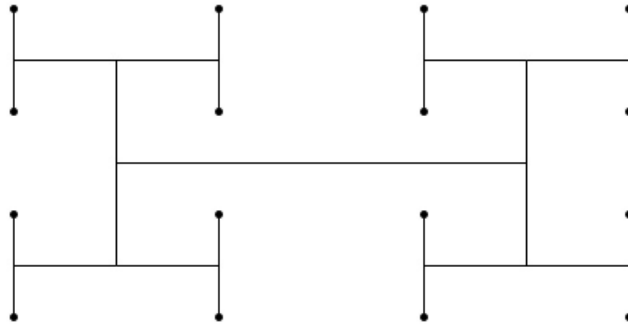
2 Recursive-H club

For a majority of part B of the assignment, you will be using recursion to draw pictures using turtle graphics. To encourage you to start thinking early, answer the questions below (for this section and the next) that will help with planning for our recursive drawing. Include your answers to the **three bolded questions** below in a *triple quoted string* at the end of your part A file.

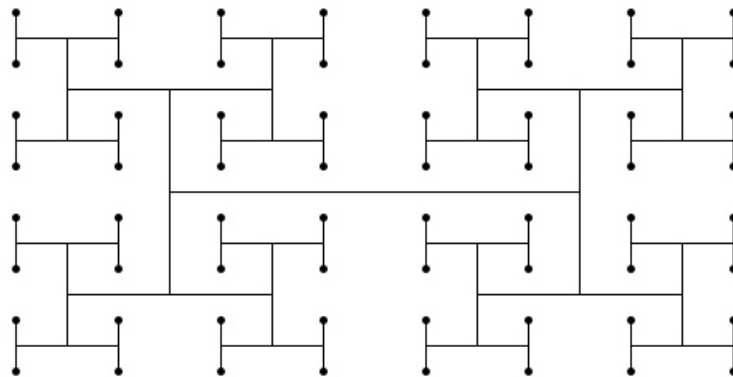
A recursive **H** is an **H** where the end of each vertical line of the **H** may have another recursive **H**. The recursive **H** is defined by a level. A level 1 recursive **H** is just an **H** with dots at the ends:



A level 2 recursive **H** has another **H** at the end of each line:



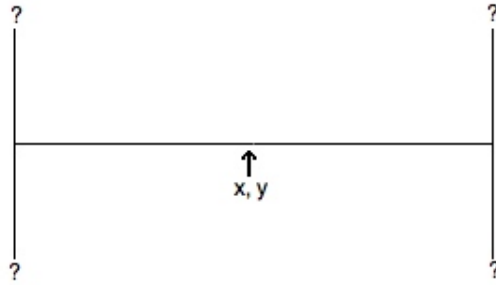
A level 3 recursive **H** has another **H** at the end of the each of these **H**s:



Notice that the smallest level of **H** always ends in a dot.

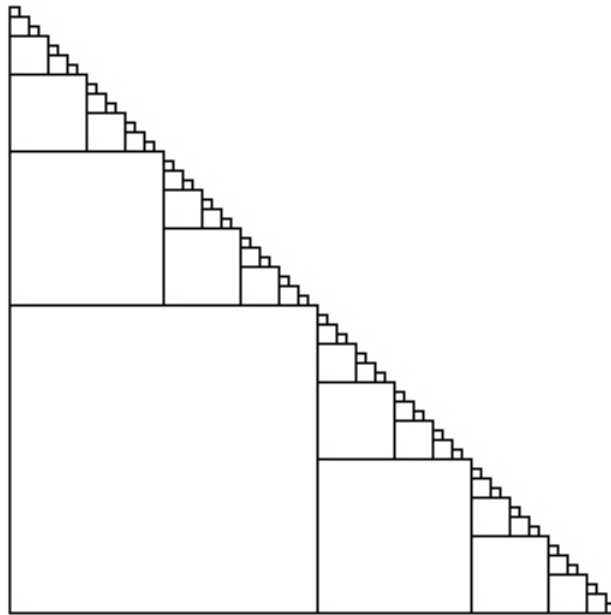
Each of these figures is made up of many **H**s. An **H** is defined by x, y coordinates and a length, l . The x, y coordinates are at the center of the **H**. The *vertical bars* are of length l and the horizontal bar of length $2l$.

Question 1: Given an **H** at location x, y with length l what are the 4 coordinates of the ends of the vertical bars of that **H** (that is the upper left, lower left, upper right and lower right of the **H**) relative to the supplied x, y ?

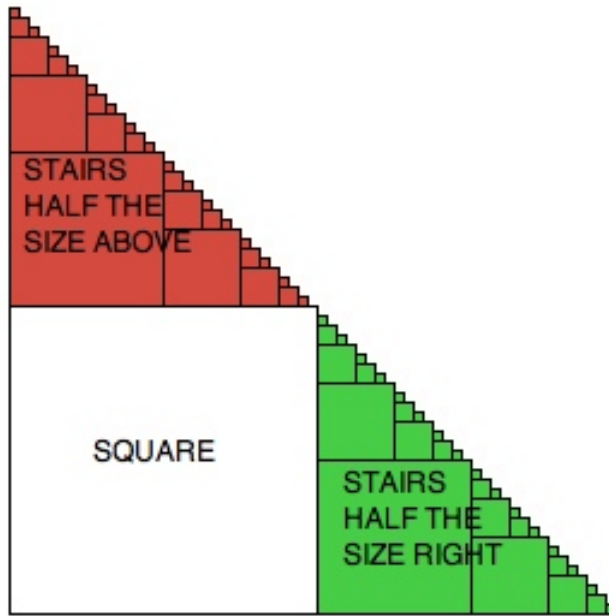


3 Stairs

We will also be creating a program that draws “stairs”:



To draw stairs, we first draw a large square in the lower left. We then draw a set of stairs above it and to the right that are half as large:



Stairs are specified by the x, y coordinates of the bottom left corner of the stairs and the length l of a side of the square in the lower left hand corner.

Question 2: If we drew stairs starting at x, y with length l what would be the coordinates of the recursive set of stairs above (colored in red above) and the recursive set of stairs to the right of the initial square (colored in green above), again relative to x, y ?

4 Color in turtle graphics

We've seen different fill colors in turtle graphics specified by a string (e.g. `fillcolor("yellow")` or `fillcolor("blue")`). In many situations, this is sufficient, however, in some cases we need a bit more granularity. Instead of passing a string to `fillcolor`, if you need more precision, you can pass three numbers between 0 and 1.0 specifying the proportion of red, green and blue that make up the color (called rgb coloring). For example:

```
>>> fillcolor(0, 1, 0)
>>> begin_fill()
>>> circle(50)
>>> end_fill()
```

will draw a green circle. See what happens as you change these three numbers.

Question 3: What would be the rgb values if we wanted a light blue color?

5 When you're done with Part A

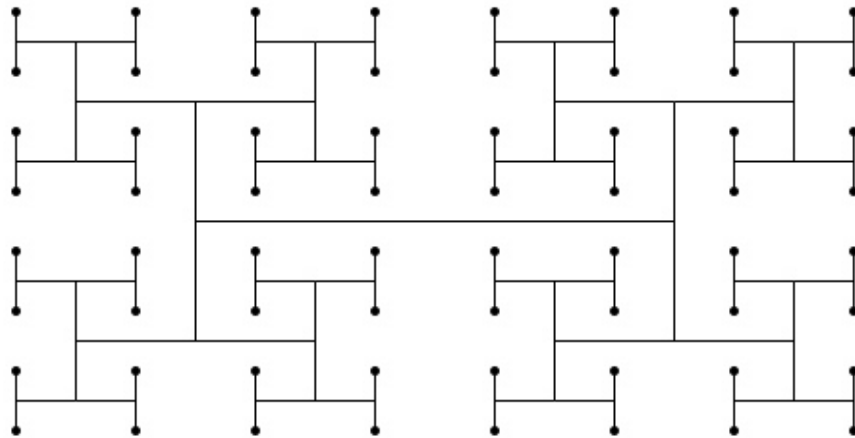
See the notes about comments, style and grading at the end of this document. Submit your .py file online using the courses submission mechanism.

PART B

Put your answers to the problems below in a file named with your first name and last name followed by `assign5B.py`.

1 Big H

Write a function called `recursive_H` that takes *four* parameters: the x and y coordinates of the center of the H, the length of the *vertical bars* (the horizontal bar will be 2 times the length) and number of recursive levels to draw. Level 1 should just draw an H with four dots at the end, level 2 an H with 4 smaller H's at the end of the vertical bars, etc. The smallest H's will all have black dots at the end of their vertical bars. The following is a level 3 recursive H:



See part A for more details.

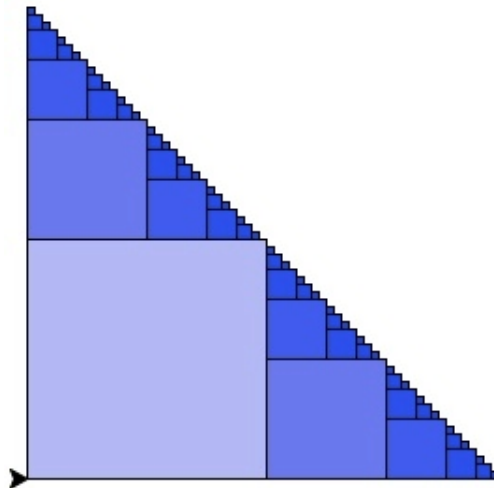
Advice:

- Walk through the four steps for defining a recursive function we discussed in class. When doing this for graphical components, the key is often trying to finish a statement like: “A recursive H is ...”, where somewhere after “is” you should end up using the term “recursive H”. For example, a broccoli is a line with three smaller broccolis off of the end of this line. Once you have this, think about what the base case would be.
- It can sometimes help to mentally walk through your recursive steps and draw out the figure by hand.
- As always, think about how you might break off some of the functionality of this function into other functions to make your code easier to debug and read.



<http://nrrdgrrl.net/nonsense/category/smellanie/page/2/>

2 Stairs

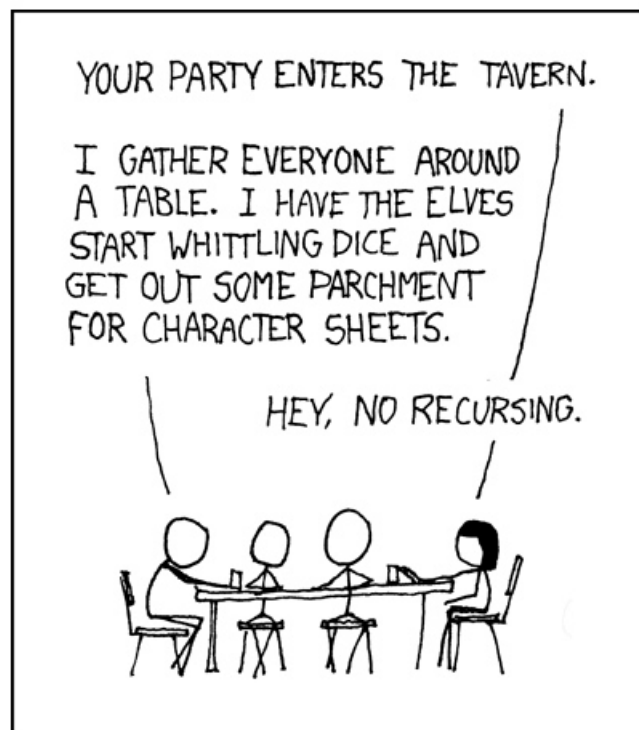


Write a function called `stairs` that takes *three* parameters: the x and y coordinates of the bottom left corner of the stairs and the *length* of the side of the square in the bottom left hand corner. You should recursively draw stairs as long as the side length is greater than 3. The squares will be colored such that they get darker for smaller squares (not grey).

Powers of 2 work well for starting lengths. See Part A for more details on how the stairs can be viewed recursively.

Implementation:

- Walk through the four steps for defining a recursive function outlined in class. Try and finish the following statement recursively “Stairs are ...”.
- Get your `stairs` function working drawing just the outline.
- Add functionality to change the color of the squares. You can either do this by 1) having the color be based on the length of the side of the square or 2) by adding additional *optional* parameters that allow you to specify the color of the square, which would then change with each recursive call (similar to how the length changes). If you do option 2), make sure that your `stair` function can still be called normally with just 3 arguments.



<http://xkcd.com/244/>

3 Extra credit

You may earn up to 1 point of extra credit on this assignment. Below are some ideas, but you may incorporate your own if you'd like. Make sure to document your extra credit additions in comments at the top of the file.

- Add some color to the recursive H

- Make the color more interesting for the stairs, for example, have it change based on whether it's the top or the right recursive staircase.
- Add another recursive function that draws a different recursive structure (for example out of circles or triangles).

4 When you're done with Part B

Make sure that your program is properly commented:

- You should have comments at the very beginning of the file stating your name, course, assignment number and the date.
- You should have comments delimiting the three problems.
- Each function should have an appropriate docstring.
- Include other miscellaneous comments to make things clear.

In addition, make sure that you've used good *style*. This includes:

- Following naming conventions, e.g. all variables and functions should be lowercase.
- Using good variable names.
- Proper use of whitespace, including indenting and use of blank lines to separate chunks of code that belong together.
- Make sure that none of the lines are too long, i.e. cross the red line in Wing.

Submit your .py file online using the courses submission mechanism.

Grading

	points
Part A	
length	3
rec_max	3
3 questions	3
Part B	
recursive H	5
recursive stairs	5
stairs coloring	2
Comments, style	3
extra credit	1
total	24 (+1)